

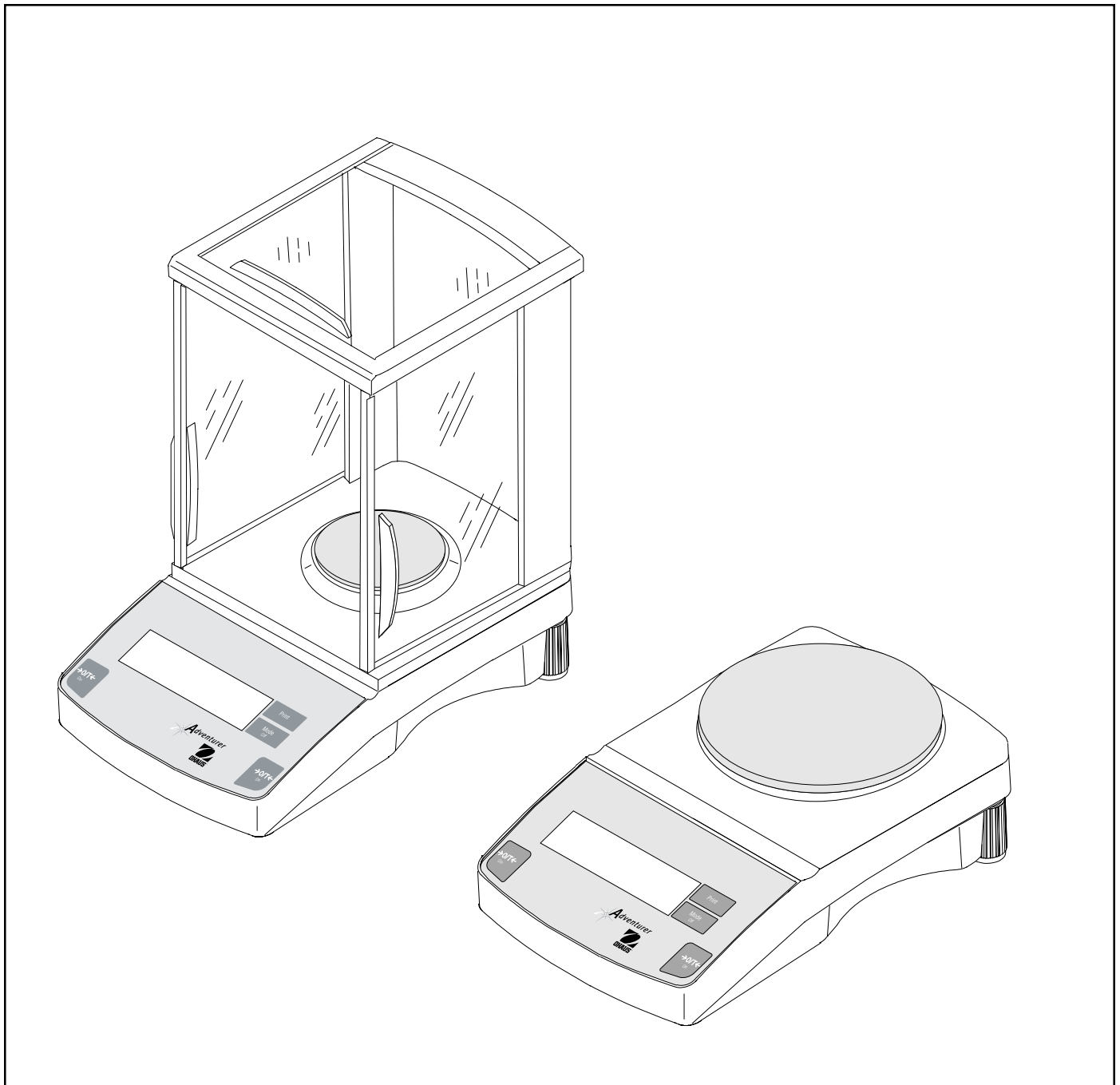


Ohaus Corporation
29 Hanover Road
Florence Park, NJ
07932-0900

INSTRUCTION MANUAL Adventurer™ *Balances*

MANUAL DE INSTRUCCIONES *Balanzas Adventurer™*

MANUEL D'INSTRUCTIONS *Balances Adventurer™*



INTRODUCTION

This manual covers installation, operation and troubleshooting for the OHAUS® Adventurer™ Balances. To ensure proper operation of your balance, please read this manual completely.

DESCRIPTION

The Ohaus Adventurer™ balances are precision weighing instruments, designed to provide years of service with virtually no maintenance. Eight models are available with capacities from 65 to 4100g. The 65g through 310g balances include a draft shield. Weigh below operation is made possible with a built-in weigh below hook.

The Adventurer™ balances are constructed with a durable housing, leveling feet, built-in leveling bubble, and a large custom LCD. Control buttons are clearly marked as to their function, with large Tare buttons located on either side of the front panel.

All Adventurer™ balances are initially factory set to measure in grams and can be set to measure in *kilograms, milligrams, carats, Newtons, pounds, ounces, troy ounces, grains, pennyweight, mommes, mesghals, Hong Kong Taels, Singapore Taels, Taiwan Taels, Ticals, and Parts Counting. Simple three button operation allows for the selection of measuring units, calibration and printing parameters. A standard RS232 interface permits communication to an external printer or computer.

*See specifications for measuring units which are available.

Power is supplied through an AC adapter. Accessories include: an in-use cover, security device, calibration masses, printer, and scoops. See accessory section.

Behind your instrument stands OHAUS Corporation, a leading manufacturer of precision weighing equipment. An Aftermarket Department with trained instrument technicians is dedicated to provide you with the fastest service possible in the event your instrument requires servicing. OHAUS Corporation also has a Customer Service Department to answer any inquiries regarding applications and accessories.

MENUS

Adventurer™ balances contain four display menus which enable you to select measuring units, calibrate the balance, turn on a tone signal which operates with each key stroke, and set up communication/print parameters.

- **UNITS** Menu - Allows up to 16 measuring units to be selected plus parts counting.
- **LIN** Calibration Menu - Allows the balance to be calibrated by using linearity calibration methods. Two masses are required.
- **SYS** Menu - Enables tone signal with each keystroke.
- **PRINT** Menu - Allows communication parameters to be set which include Baud rate, Parity, Data and Stop bits. A Reset function permits returning the communication parameters to factory settings.
- **MENU END** - When selected, balance returns to weigh mode.

UNPACKING

All Adventurer™ balances are supplied with a weighing platform, AC power adapter, built-in weigh below hook, instruction manual and warranty card. Draft shields are supplied with 65g through 310g balances.

Carefully unpack all items.

- Check the instrument for transport damage. Immediately inform your Ohaus dealer if you have complaints or if parts are missing.
- Store all parts of the packaging. This packaging guarantees the best possible protection for the transport of your instrument.

INSTALLATION

Selecting the Location

The balance should be used indoors only and in an environment which is free from excessive air currents, corrosives, vibration, and temperature or humidity extremes (Max. 85%). Maximum altitude not to exceed 4000m above sea level. These factors will affect displayed weight readings.

DO NOT install the balance:

- Next to open windows or doors causing drafts or rapid temperature changes.
- Near air conditioning or heater vents.
- Near vibrating, rotating or reciprocating equipment.
- Near magnetic fields or equipment that generates magnetic fields.
- On an unlevel or unstable work surface.

NOTE: Manufacturer cannot guarantee the safety of the product if it is not used according to the instructions.

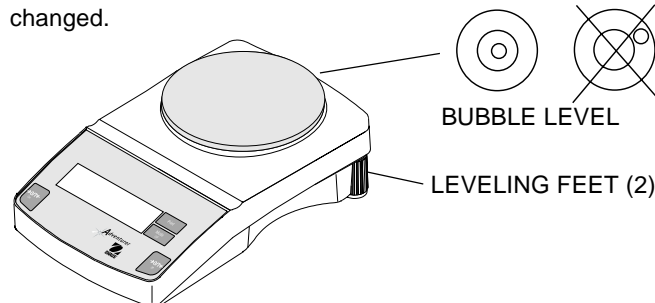
Setting Up and Leveling the Balance

Exact horizontal positioning and stable installation are prerequisites for repeatable results. To compensate for small irregularities or inclinations at the location, the instrument can be leveled.

For exact horizontal positioning, the balance is equipped with a level indicator and two leveling feet located at the rear of the balance.

Position the balance in the intended operating location. Adjust the leveling feet at the rear of the balance until the air bubble in the indicator is centered.

NOTE: The instrument should be leveled each time its location is changed.



This is a “Table of Contents preview” for quality assurance

The full manual can be purchased from our store:

[https://the-checkout-tech.com/manuals/ohaus/Adventurer user manual.html](https://the-checkout-tech.com/manuals/ohaus/Adventurer%20user%20manual.html)

And our free Online Keysheet maker:

<https://the-checkout-tech.com/Cash-Register-Keysheet-Creator/>

[HTTPS://THE-CHECKOUT-TECH.COM](https://THE-CHECKOUT-TECH.COM)